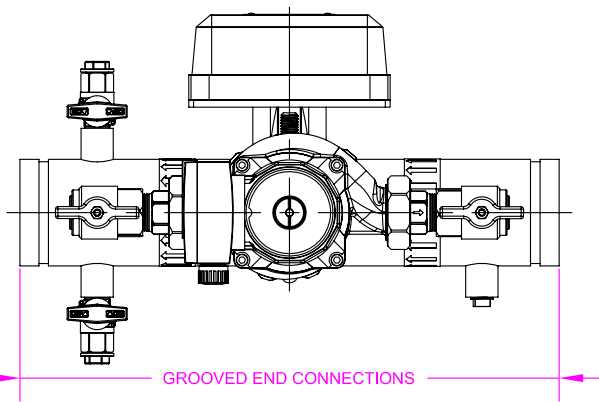


PLAN

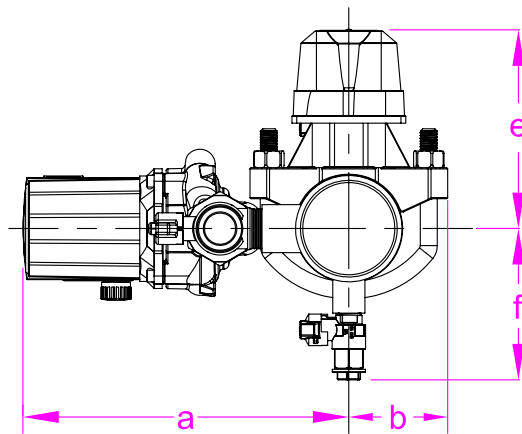
CLEAR SPACE

CDM



GROOVED END CONNECTIONS

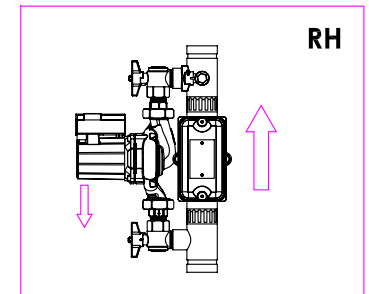
FRONT ELEVATION



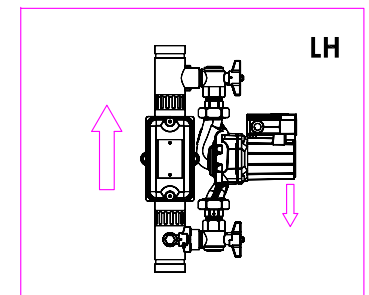
RIGHT ELEVATION

		ASSEMBLY DIMENSION (mm) (in")											
MODEL		a		b		c		d		e		f	
ZC450-50	2"	257	10 <sup>1</sup> / <sub>8</sub>	60	2 <sup>3</sup> / <sub>8</sub>	240	9 <sup>7</sup> / <sub>16</sub>	400	15 <sup>3</sup> / <sub>4</sub>	150	5 <sup>15</sup> / <sub>16</sub>	115	4 <sup>9</sup> / <sub>16</sub>
ZC450-65	2 1/2"	265	10 <sup>7</sup> / <sub>16</sub>	60	2 <sup>3</sup> / <sub>8</sub>	240	9 <sup>7</sup> / <sub>16</sub>	400	15 <sup>3</sup> / <sub>4</sub>	157	6 <sup>3</sup> / <sub>16</sub>	125	4 <sup>15</sup> / <sub>16</sub>
ZC450-80	3"	271	10 <sup>1</sup> / <sub>4</sub>	67	2 <sup>9</sup> / <sub>8</sub>	240	9 <sup>7</sup> / <sub>16</sub>	400	15 <sup>3</sup> / <sub>4</sub>	165	6 <sup>1</sup> / <sub>2</sub>	130	5 <sup>1</sup> / <sub>8</sub>
ZC450-100	4"	284	11 <sup>3</sup> / <sub>16</sub>	87	3 <sup>7</sup> / <sub>16</sub>	240	9 <sup>7</sup> / <sub>16</sub>	400	15 <sup>3</sup> / <sub>4</sub>	175	6 <sup>7</sup> / <sub>8</sub>	145	5 <sup>3</sup> / <sub>4</sub>
ZC450-150	6"	308	12 <sup>1</sup> / <sub>8</sub>	113	4 <sup>7</sup> / <sub>16</sub>	240	9 <sup>7</sup> / <sub>16</sub>	400	15 <sup>3</sup> / <sub>4</sub>	205	8 <sup>1</sup> / <sub>16</sub>	170	6 <sup>11</sup> / <sub>16</sub>
ZC450-200	8"	330	13"	150	5 <sup>7</sup> / <sub>8</sub>	240	9 <sup>7</sup> / <sub>16</sub>	400	15 <sup>3</sup> / <sub>4</sub>	243	9 <sup>9</sup> / <sub>16</sub>	192	7 <sup>9</sup> / <sub>16</sub>

USE COUPLINGS AS PER LOCAL APPROVED CERTIFICATION.



RIGHT-HANDED VERSION



LEFT-HANDED VERSION

Drawing Specification  
 THIRD ANGLE PROJECTION

Copyright: This drawing is property of Project Fire Products Ltd and must not be used or copied without its written permission.  
 Company Registration Number 364 8507.

Project Fire Products  
 Pasturefields Lane  
 Pasturefields Industrial Estate  
 Staffordshire  
 ST18 0PH  
 t: +44 (0) 1889 271 271  
 f: +44 (0) 1889 272 735  
 e: sales@projectfireglobal.com  
 w: www.projectfireglobal.com



ZONECHECK (450 mm LENGTH)			
SCALE	NTS	MODEL	ISSUE NO
DRAWN	DD	ZC450	004
DATE	24.10.11	DRAWING NUMBER	
APPROVED	BS	ZC450-TD-004	