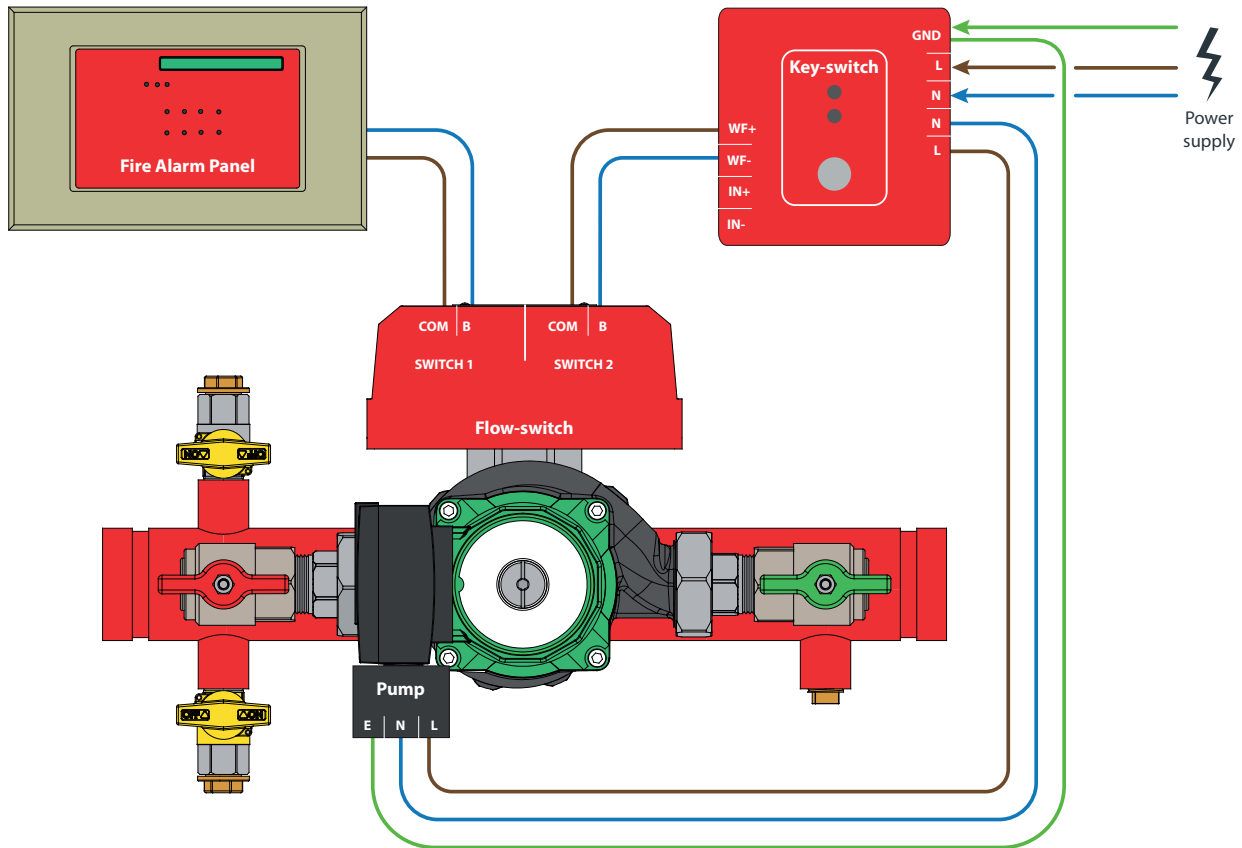


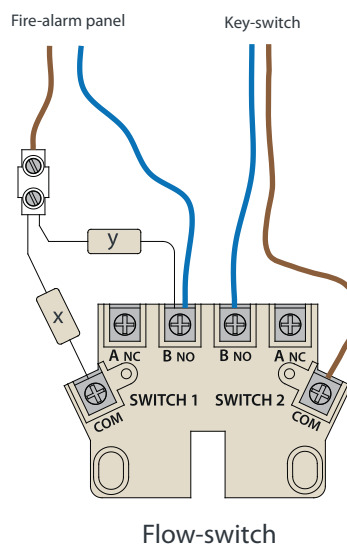
KEY-SWITCH



Flow-switch wiring

Typical fire-alarm/flow-switch connection*. Refer to specific fire-alarm panel instructions for information.

x = fire/alarm resistor (usually 1Ω)
 y = end of line resistor (usually 470Ω)



*Typical arrangement only