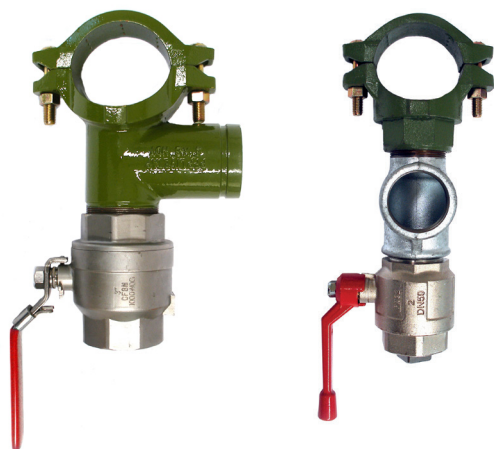


# Livetap® No-Drain-T

LT-NDT-DS-7/19-5



Fast Install



Zero Downtime

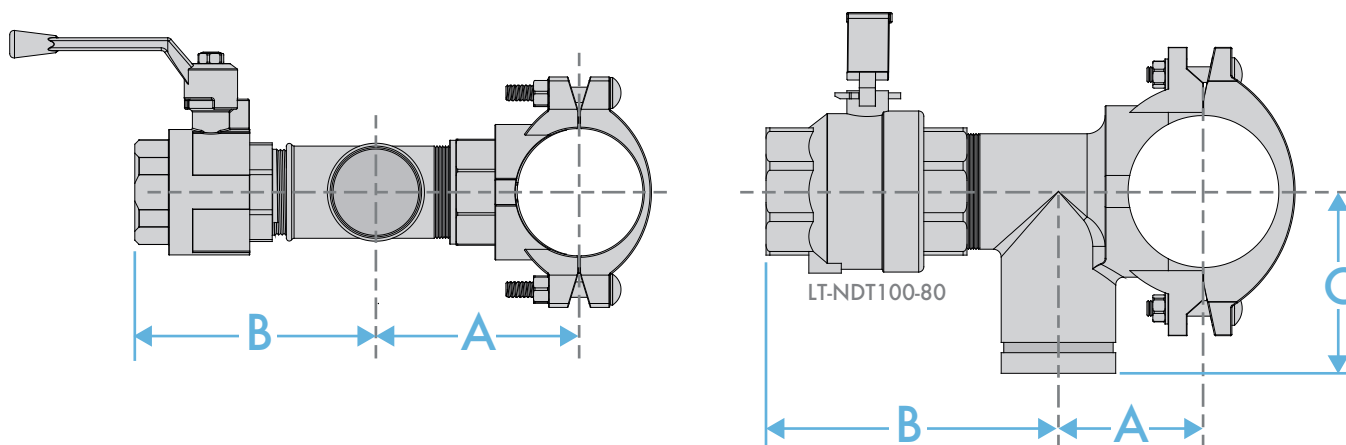


No Drain-down

## Overview

The No Drain-T is a fitting used as part of the Livetap® system which allows sprinkler modifications and alterations without the need to drain down the system. The No-Drain-T fitting is designed to add additional pipework and sprinkler heads to an existing system without draining down. The fitting is code compliant as it does not leave a valve 'in line' with the system. Only trained and qualified personnel can use the Livetap® drilling system and its associated product range.

## Dimensions



in	Ø	Part Code	A	B	C	Outlet	Bolts	Torque	Weight
2" x 1 1/4"	50x32	LT-NDT50-32	110	119	-	Screwed	M10	41	3.5
3" x 2"	80x50	LT-NDT80	145	165	-	Screwed	M10	41	5.8
4" x 2"	100x50	LT-NDT100	155	165	-	Screwed	M12	68	6.1
6" x 2"	150x50	LT-NDT150	185	165	-	Screwed	M12	136	8.3
4" x 3"	100x80	LT-NDT100-80	112	227	140	Grooved	M16	136	14.0

Please note: Dimensions are ±5 mm.

mm

Nm

Kg

