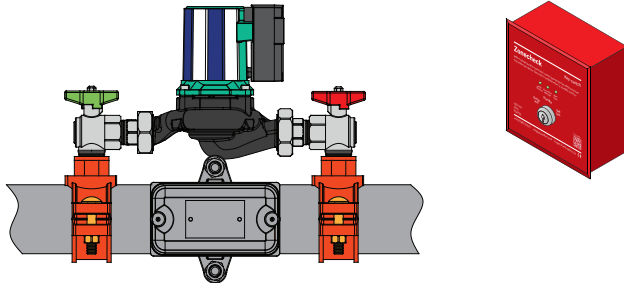





DATA SHEET | TECHNICAL

ZC450-RF-DS-07/21-06
US Version

ZONECHECK450 *RETRO-FIT*



-  **Simple, Quick & Compliant Flow-switch Testing**
-  **100% Water Saving**
-  **Fits around existing flow-switch**

Overview

Zonecheck Retro-fit is a remote flow-switch testing device that fits around an existing flow-switch. It works by using a closed loop system that re-circulates water to simulate sprinkler head operation and tests the flow-switch without discharging water. When the pump is activated via the local key-switch, water is circulated across the flow-switch at a flow equivalent to one sprinkler head in operation (required by code standards). The Key-switch is used to activate the Zonecheck test and indicate flow-switch activation as well as the local valve-status.

Specification

Zonecheck

Approvals

Max Working pressure	Water, 175 psi (12 bar)
Max Test Pressure.....	Water, 260 psi (18 bar)
Available sizes Ø.....	2", 2½", 3", 4", 6", 8" (50-200mm)
Connections.....	Mechanical Tee
Installation.....	Horizontal or Vertical
Approvals.....	UL, FM, LPCB & VdS

Pump

Operating Voltage.....	120v 60Hz
Full Load Current.....	0.93 A
Power Rating.....	195 watts
IP Rating.....	IP43

Key-switch

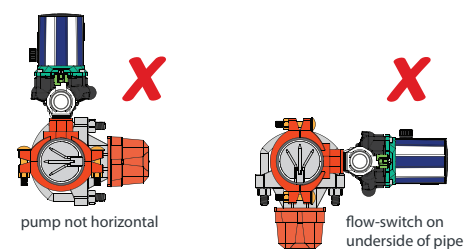
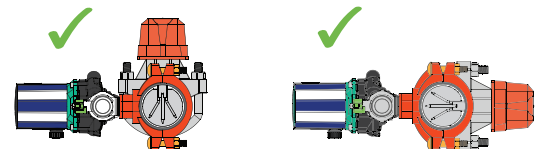
Voltage.....	120v 60 Hz
Internal Consumption.....	7.5 W Max
Amperage.....	0.88 A
Order No.....	ZCKYSE
LED Indication.....	Pump Running Flow-switch Activated Valve Fault (optional)
Max Group Size.....	25 Key-switches
Max Group Cable Length.....	330 yards (300 m)

Installation

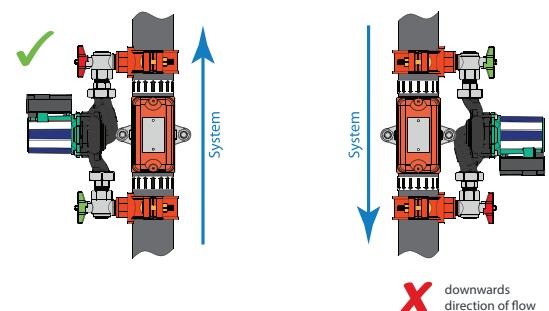
Make sure: - (i) The pump direction-of-flow arrow faces the opposite direction to the system flow. (ii) The red & green stripes on the pump cartridge are always horizontal. (iii) Do not position the flow-switch on the underside of the pipe. (iii) For vertical flow applications, only mount flow-switch where up flow conditions exist.

Orientation

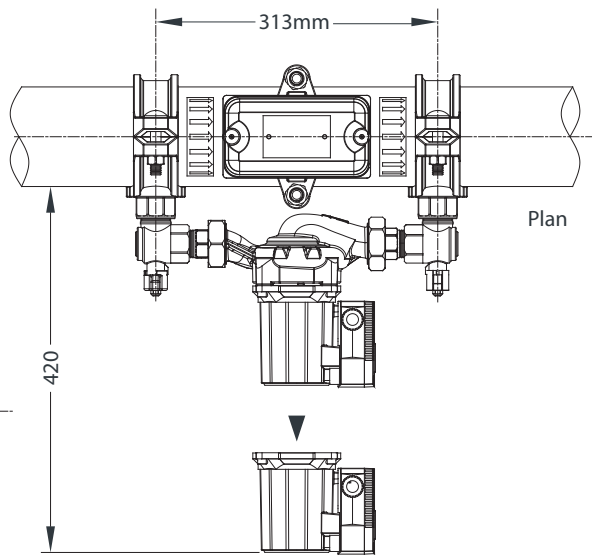
Horizontal



Riser



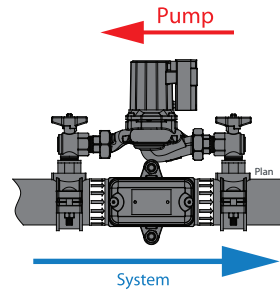
Dimensions



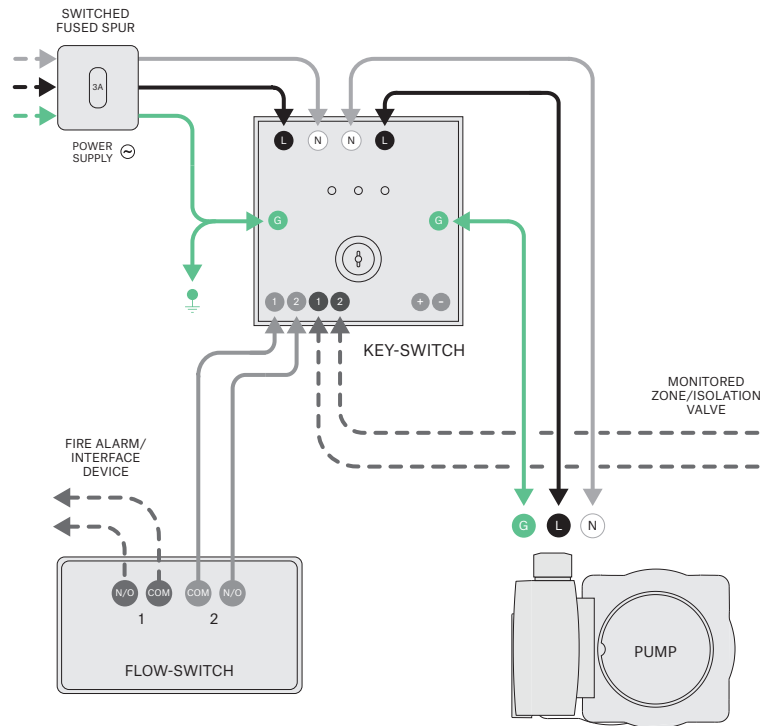
Clear space requirements for pump cartridge removal

Hole-saw Ø (for fitting)

Zonecheck size	Hole-saw Ø
2" (50mm).....	1½" 38mm
2½" (65mm).....	1½" 38mm
3" (80mm).....	1½" 38mm
4" (100mm).....	1½" 38mm
6" (150mm).....	2" 51mm
8" (200mm).....	2½" 64mm



Wiring



Venting

Zonecheck will not work properly if air is trapped within the unit. For video instructions on venting the unit watch the you tube clip by scanning the QR code or go to <http://goo.gl/EuBrW> on your computer.

- (i) Isolate alarms & notify building management of your actions.
- (ii) Turn the key-switch to **SELF TEST**.
- (iii) Have a bucket ready to catch any water.
- (iv) Carefully loosen the access plug on the end of the pump to release any trapped air.
- (v) Keep the vent open until all the air is expelled and only water is coming from the vent (may take up to 10 minutes).
- (vi) Carefully tighten the vent plug.
- (vii) Turn the key-switch to **STANDBY**
- (viii) Don't forget to contact building management & let them know when you have finished testing.

