

# Data Sheet

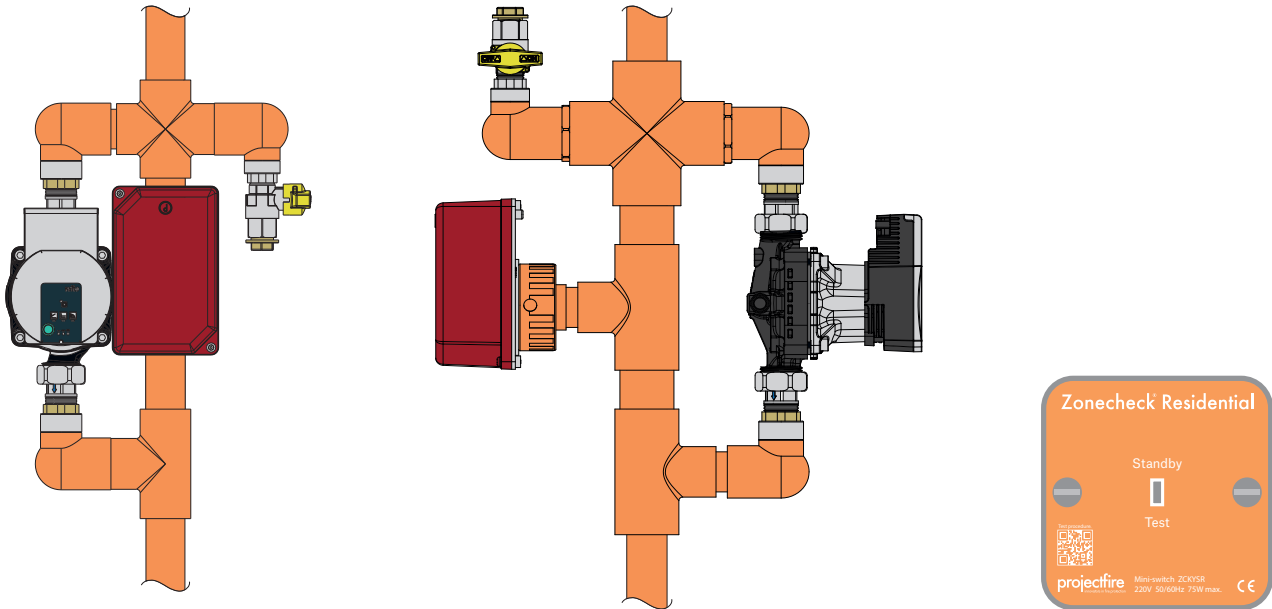
ZCR-R-DS-10/23-6

# Zonecheck Residential CPVC Void CPVC Riser

## OVERVIEW

Zonecheck is a remote flow-switch testing device. It works by using a closed loop system that re-circulates water to simulate a single sprinkler head operation and tests the flow-switch without discharging water. Zonecheck® Residential simplifies flow-switch testing for domestic and residential properties. Its compact design makes it ideal for apartments, homes and mixed use developments, its easy to install and allows testing to be performed at the flick of a switch. Further to this, each test is performed without wasting a drop of water.

This version of Zonecheck Residential is designed for testing of flow-switches in remote sprinkler zones e.g. where each floor or each apartment of a block of flats is a separate sprinkler zone. A "full bore" version of this product is also available which is designed to be used where a full flow test is required e.g. at the start of a sprinkler installation. For more information, please contact Project Fire.



## Specification

### ZONECHECK PUMP

Voltage	230V 50Hz
IMAX	0.66 A
Max Power Rating	75 W Maximum
IP Rating	IPX4D
Cable Type (Supplied)	1.5m Flying Lead

### FLOW-SWITCH

Type	VSR-SG
Triggering Flow Rate	15-38 L/min (UL)
IP Rating	IP54
Contact Rating	10 A @125/250v AC; 2.0 Amps @30v DC

### MINI-SWITCH

Model	ZCKYSR
Key Type	Fish Key
Dimensions	82 x 82 x 40 mm

### ZONECHECK RESIDENTIAL

Max Pressure Rating	10 bar
Pipe Type	CPVC
Pipe Diameters Ø	25, 32, 40, 50 mm (1", 1¼", 1½", 2")
Pipe and Fittings	Spears Flame Guard

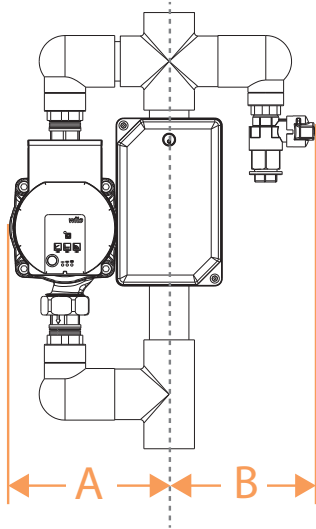
### VENTING

Zonecheck may not operate successfully if trapped air is present within the sprinkler pipework. Please ensure that pipework is vented by using an appropriate drain or venting valve (not supplied) before operating the Zonecheck.

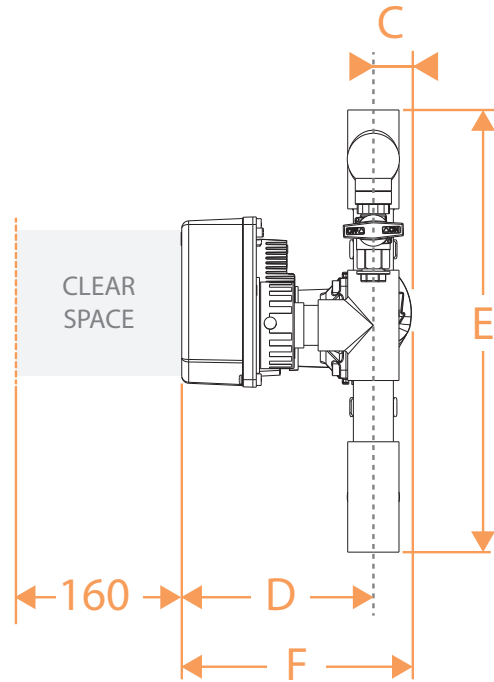
# Dimensions (Riser)

PART CODE	IN	ØMM	A	B	C	D	E	F
ZC-RESPR-25	1"	25	135	135	30	170	370	200
ZC-RESPR-32	1¼"	32	155	160	30	175	395	205
ZC-RESPR-40	1½"	40	165	170	35	180	405	215
ZC-RESPR-50	2"	50	170	180	40	180	420	220

\*Please leave a minimum of 160mm above the face flow-switch and pump head for access and maintenance.



Front View

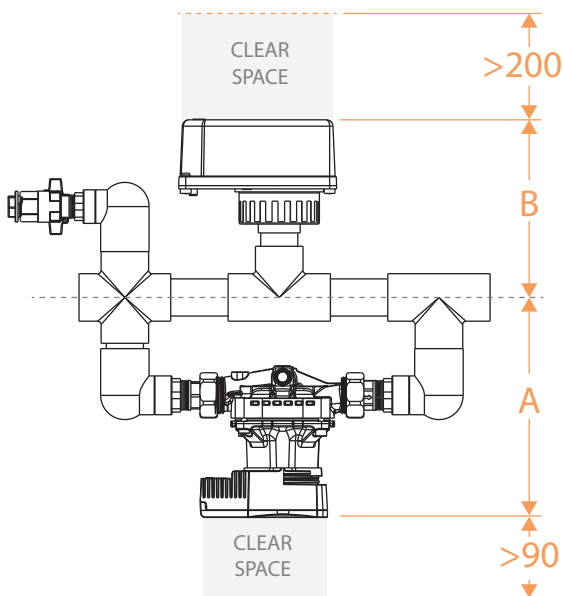


Side View

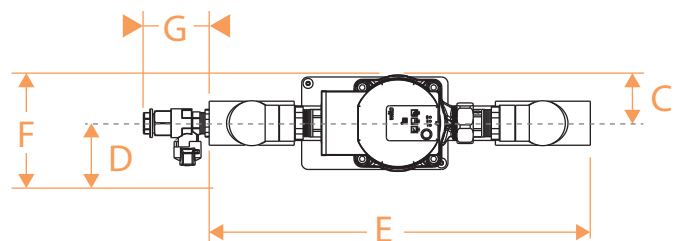
# Dimensions (Void)

PART CODE	IN	ØMM	A	B	C	D	E	F	G
ZC-RESPV-25	1"	25	195	160	50	65	370	115	65
ZC-RESPV-32	1¼"	32	215	165	50	70	395	120	45
ZC-RESPV-40	1½"	40	225	170	50	75	405	125	40
ZC-RESPV-50	2"	50	235	175	50	80	420	130	30

\*Please leave a minimum of 160mm above the face flow-switch and pump head for access and maintenance.

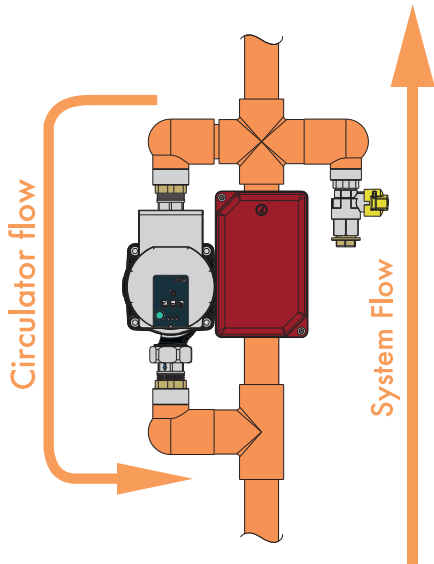


Plan View

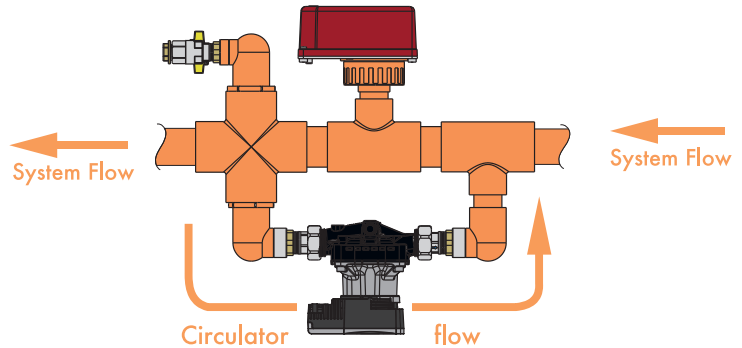


Front View

# Orientation

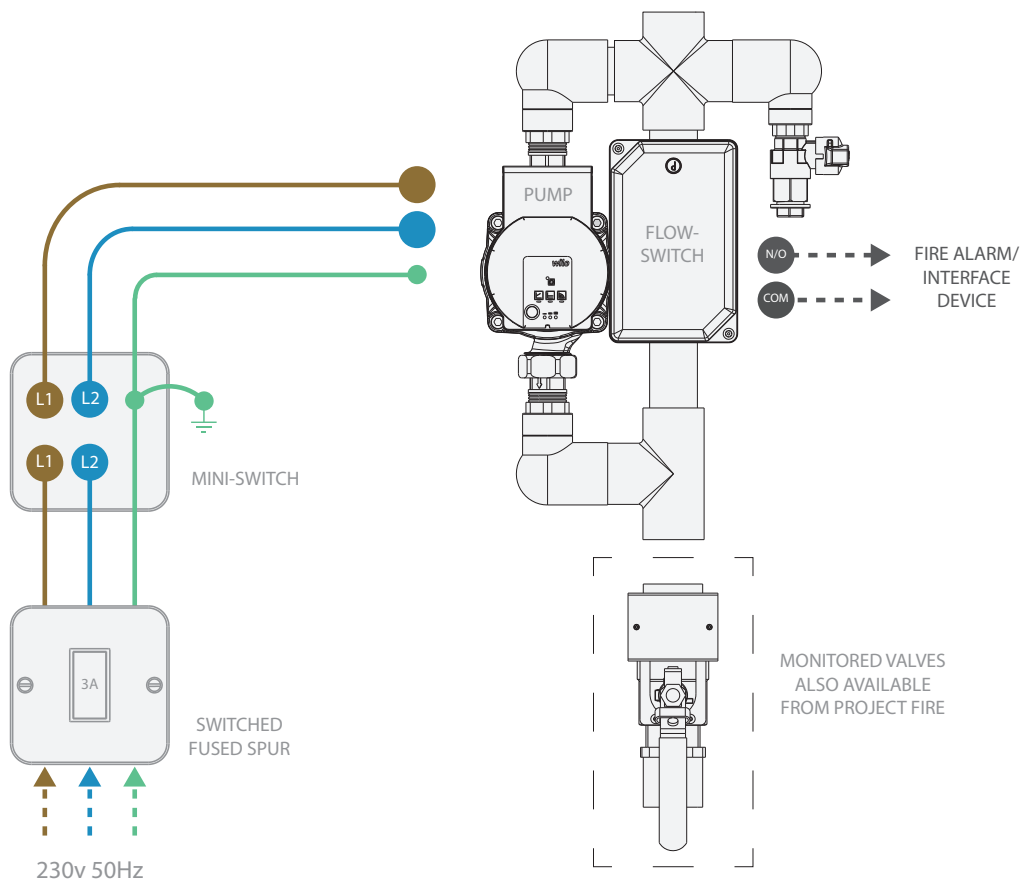


RISER



VOID

# Wiring



**100% water saving**

**Remote testing**

**Efficient**

**Simplified testing method**

**Code compliant**

**Sustainable testing**

**Flow-Switch Testing**

**No water discharge**

**Staightforward Commisioning**

**Fast Install**

**Flat-Fit Design**

Designed and manufactured in the UK by Project Fire Products Ltd.

+44(0)1889 271271  
[info@projectfire.co.uk](mailto:info@projectfire.co.uk)  
[www.projectfire.co.uk](http://www.projectfire.co.uk)

Zonecheck® is a registered trademark.  
 © Project Fire Products Ltd. 2023.

**PROJECT FIRE®**